

## SCR400

- sensor with GDM plug and display
- temperature range  $-50 \div 550^{\circ}\text{C}$  (depending on construction)
- stainless steel sheath
- thermowell spring protection against excessive cable bending
- possibility of mounting a 4...20 mA or 0...10 V temperature transmitter
- local LED display optionally

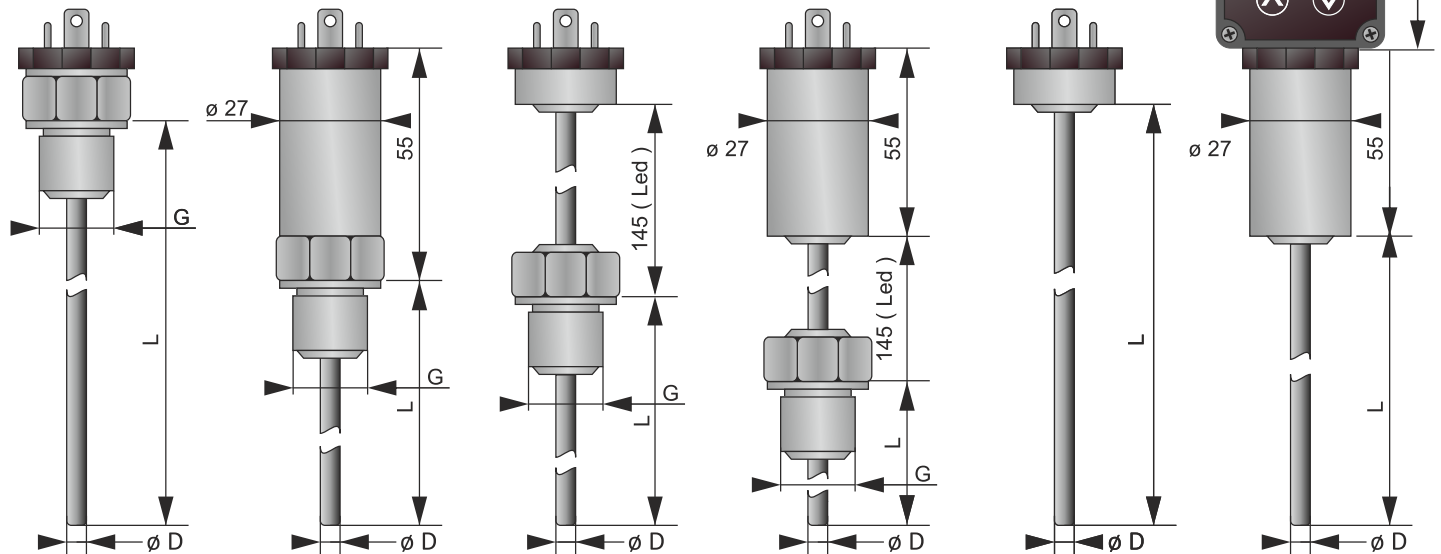
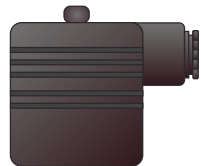
Resistance thermometer **SCR400** consists of a non-replaceable measuring insert, a welded protection tube with process connection, and a Hirschmann brand GDM type socket. The measuring transmitter is installed into the top part of the casing. The sensor with a built-in 4...20 mA transmitter can be equipped with a local LED display. The immersion length of the sensor, process connection, length of the thermowell, shape, and material of the sheath can be selected depending on the requirements of the application.

### Application areas:

- equipment/tank design,
- technological process installations in all branches of industry,
- machine design,
- heating systems, air conditioning and ventilation.

### TECHNICAL DATA

Sensing element	Pt100, Pt500, Pt1000 (2-, 3- or 4-wire)
Measuring range	$-50 \div 100^{\circ}\text{C}$ (thermowell with process connection); $-50 \div 550^{\circ}\text{C}$ (thermowell with process connection away from plug and without process connection)
Process connection	G1/2", M20x1,5
Class	A or B
Thermowell	material: stainless steel 1.4541 length: any diameter: $4 \div 15$ mm



Construction without transmitter, with process connection

Construction with transmitter and process connection

Construction without transmitter, with process connection away from plug

Construction with transmitter, with process connection away from plug

Construction without process connection and transmitter

Construction without process connection, with transmitter and local display

## ORDERING

SCR400-X-X-X-X-X-X-X-X-X

**temperature sensor:**

- 1 : single
- 2 : double
- PP : with transmitter
- L : with transmitter and local display

**sensing element:**

- Pt 100
- Pt 500
- Pt 1000
- other, please specify

**construction:**

- P : without process connection
- GB : with process connection
- GN : with process connection away from plug

**shift (only for GN construction):**

- : standard L=35 mm
- other, please specify

**sheath diameter (ØD):**

- 4 mm
- 5 mm
- 6 mm
- other, please specify

**output signal or temperature transmitter settings:**  
please specify

**measuring circuit**

**(sensor without transmitter):**

- 2 : 2-wire
- 3 : 3-wire
- 4 : 4-wire

**accuracy class:**

- A
- B

**process connection (for GB and GN):**

- M20x1,5
- G1/2"
- other, please specify

**sheath length (L):**

- 100 mm (standard)
- other, please specify

Ordering example:

**SCR400-PP-Pt100-GB-6-100-G1/2"-A-4..20mA 0-100°C**

RTD temperature sensor with transmitter, 1xPt100, A tolerance class, thermowell diameter Ø6 mm, length L=100 mm, construction with process connection G1/2", transmitter 4..20 mA with range 0-100°C.

