



SCR100

- temperature range $-50 \div 200^{\circ}\text{C}$
- operating temperature of connection heads max. 150°C
- stainless steel sheath
- optional: sensor with a replaceable measuring insert
- possibility of mounting a 4...20 mA or 0...10 V temperature transmitter
- connection head DANW with local display

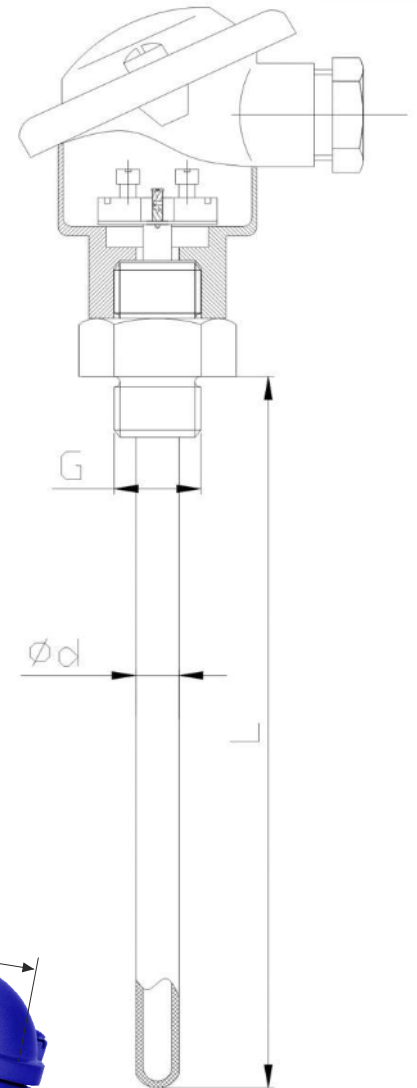
The resistance thermometer **SCR100** consists of an optional exchangeable measuring insert, outer protective tube (thermowell) and aluminum connection head, where mounting a temperature transmitter with 4...20 mA or 0...10V output signal is possible. The measuring insert represents the replaceable element of the complete sensor, which reduces time and costs of maintenance of the measuring apparatus installed in the object.

Application areas:

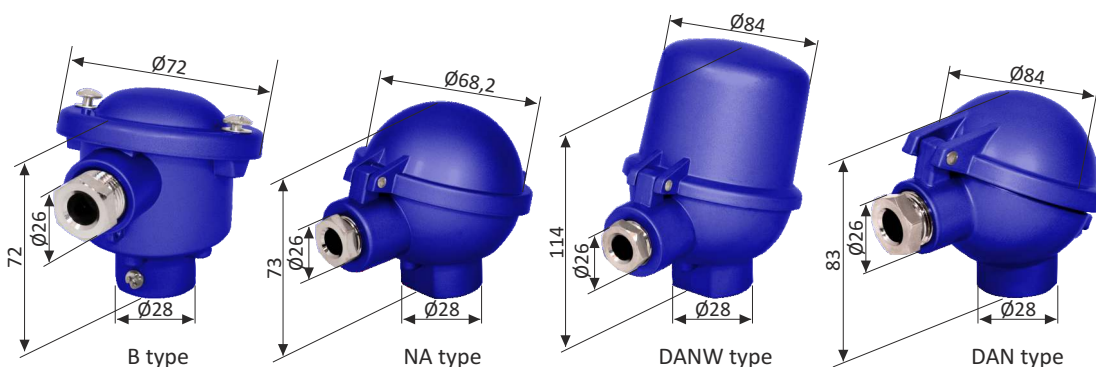
- machine construction, tanks or containers,
- fine chemical industry,
- light energy industry,
- general industrial services.

TECHNICAL DATA

Sensing element	Pt100, Pt500 or Pt1000 (2-, 3- or 4-wire)
Measuring range	$-50 \div 200^{\circ}\text{C}$
Connection head	B, NA or other, operating temperature $-40 \div 150^{\circ}\text{C}$
Class	A, B or 1/3 B
Sheath	material: stainless steel 1.4541 or other nominal length: 100 mm, 160 mm or other diameter: $4 \div 15$ mm
Process connection	G1/2", M20x1,5 or other



CONNECTION HEAD TYPES

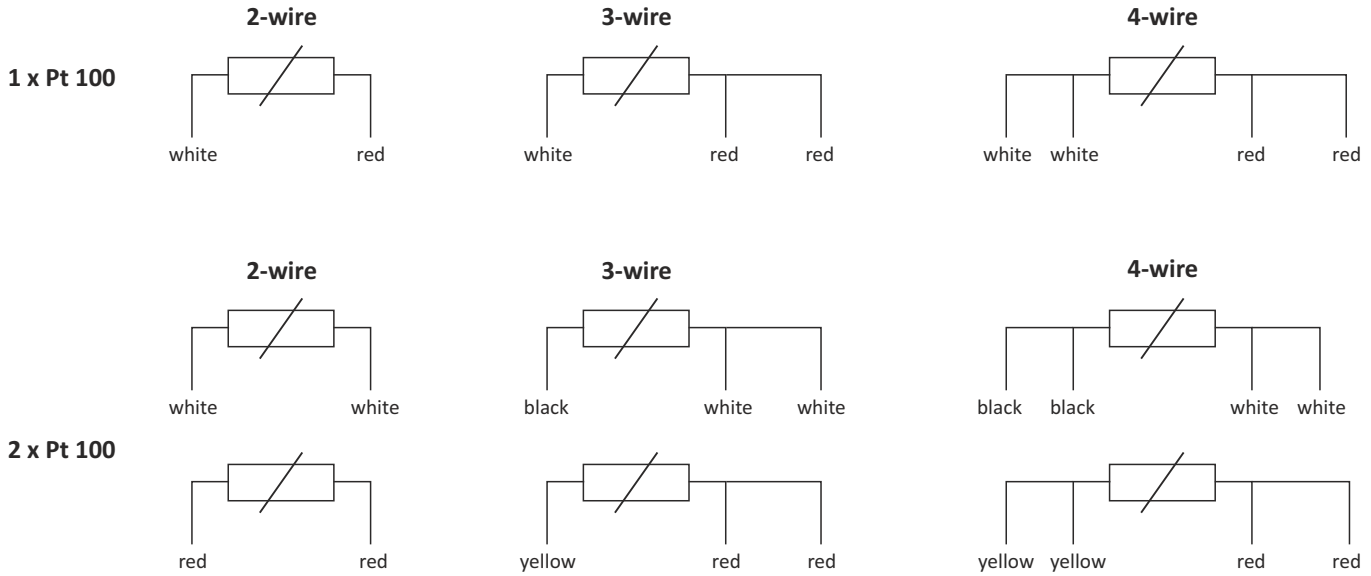


RESISTOR TOLERANCE ACC. TO PN-EN 60751

Class	Tolerance [$^{\circ}\text{C}$]
1/3B	$t = 0,10 + 0,002 \times t $
A	$t = 0,15 + 0,002 \times t $
B	$t = 0,30 + 0,005 \times t $

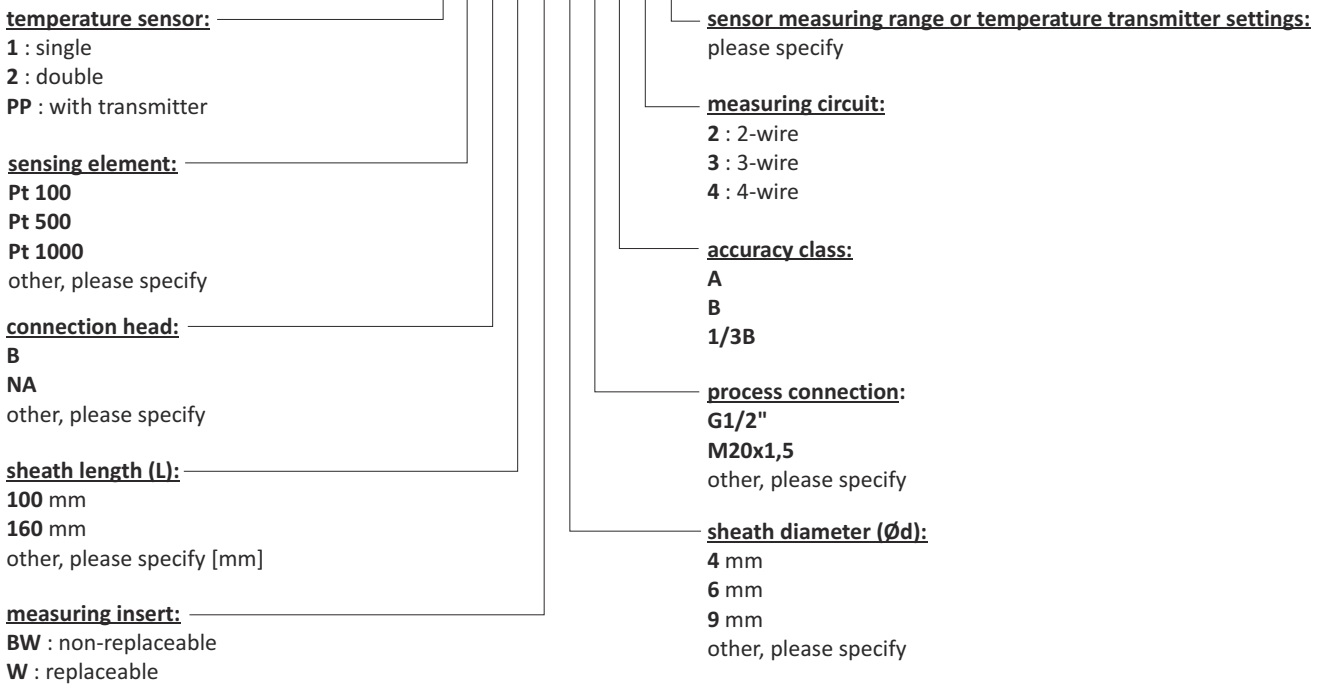


ELECTRICAL CONNECTION



ORDERING

SCR100-X-X-X-X-X-X-X-X-X-X



Ordering example:

SCR100-1-Pt100-B-100-W-9-M20x1,5-B-2-250°C

Single RTD temperature sensor, 1xPt100, B tolerance class, 2-wire, measuring insert replaceable, B head type, process connection: M20x1,5, sheath diameter Ø9 mm and length L=100 mm, sensor measuring range 250°C.

