

CPA-225



- submersible pressure transmitter
- water / heating oil tank and wastewater level measurement
- nominal pressure: from 0...1 mH₂O up to 0...10mH₂O
- output signals: 2-wire: 4...20 mA
- piezoresistive stainless steel sensor
- accuracy 0.5 % span
- certified for contact with drinking water by the Polish National Institute of Public Health (PZH) - EPDM/PUR version

PREFERRED AREAS OF USE ARE



Plant and Machine Engineering



Energy industry



Utility vehicles / mobile hydraulics

TECHNICAL DATA

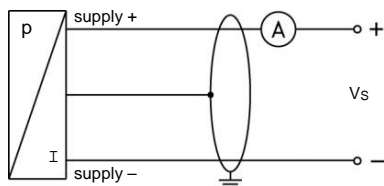
Input pressure range						
Nominal pressure gauge	[bar]	0.1	0.25	0.4	0.6	1
Level	[mH ₂ O]	1	2.5	4	6	10
Overpressure	[bar]	1	1	1	3	3
Burst pressure	[bar]	1.5	1.5	1.5	5	5
Vacuum resistance		unlimited				

Output signal / Supply	
Standard	4 ... 20 mA / V _S = 8 ... 32V DC
Performance	
Accuracy ¹	P _N > 160 mbar: ± 0,5 % span P _N 160 mbar: ± 1 % span
Permissible load	R _{max} = [(V _S - V _{S min}) / 0.02 A] W
Influence effects	supply: 0.05 % / 10 V load: 0.05 % / kW
Response time	10 msec
Long term stability	± 0.2 % span / year at reference conditions
Measuring range	1 kHz
¹ accuracy according to EN IEC 62828-2- limit point adjustment (non-linearity, hysteresis, repeatability)	
Thermal effects (Offset and Span) / Permissible temperatures	
Thermal error	± 0.3 % span / 10 K in compensated range 0 ... 70 °C
Permissible temperatures	medium / electronics / environment / storage: -10 ... 70 °C
Electrical protection	
Short circuit protection	permanent
Reverse polarity protection	no damage, but also no function
Electromagnetic compatibility	Emission and immunity according to EN 61326
Mechanical stability	
Vibration	10 g, 25 Hz ... 2 kHz according to DIN EN 60068-2-6
Shock	100 g / 1 msec according to DIN EN 60068-2-27
Materials (media wetted)	
Housing	stainless steel 1.4301 (304)
Seals	FKM, EPDM
Diaphragm	stainless steel 1.4435 (316 L)
Cable sheath	PVC, PUR (with drinking water certificate)
Miscellaneous	
Weight	approx. 120 g (without cable), cable: 25 g / 1 m
Cable length	3 m, 5 m, 6 m, 9 m, 10 m, 12 m or 15 m
Suitable for following media	water, fuel, oil, wastewater
Current consumption	max. 25 mA
Ingress protection	IP 68
CE-conformity	EMC Directive: 2014/30/EU



ELECTRICAL CONNECTION

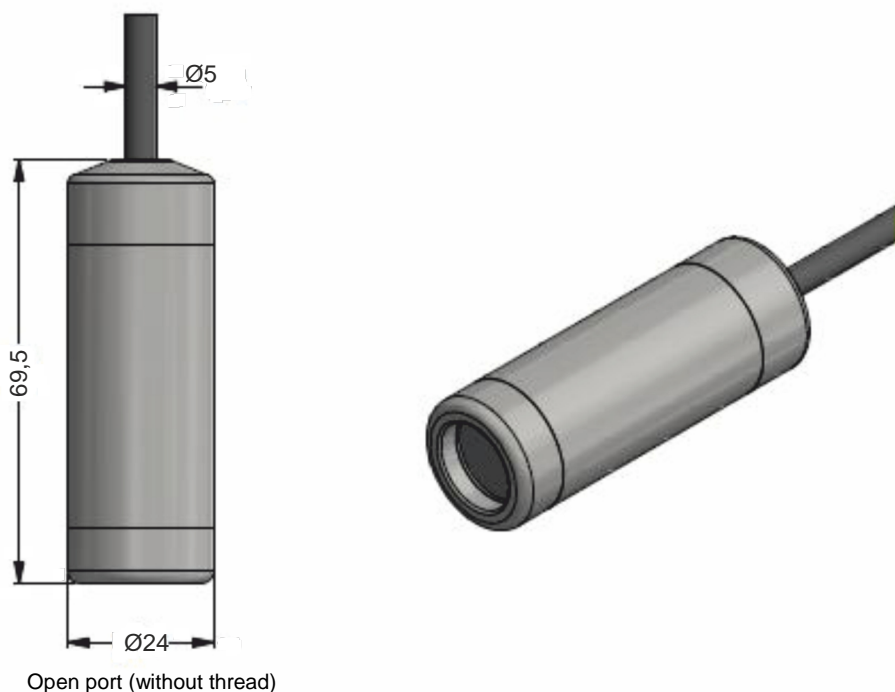
Wiring diagrams



Pin configuration

Electrical connections	cable colours (DIN 47100)
Supply +	wh (white)
Supply -	bn (brown)
Shield	gn/ye (green / yellow)

PROCESS CONNECTION



ORDERING

Models certified for contact with drinking water by the Polish National Institute of Public Health (PZH) - EPDM seal, PUR cable:

- CPA-225/O-1m/PUR/3m - measurement range 1 mH₂O, cable PUR 3mb
- CPA-225/O-2,5m/PUR/5m - measurement range 2,5 mH₂O, cable PUR 5mb
- CPA-225/O-4m/PUR/10m - measurement range 4 mH₂O, cable PUR 10mb
- CPA-225/O-6m/PUR/10m - measurement range 6 mH₂O, cable PUR 10mb
- CPA-225/O-10m/PUR/15m - measurement range 10 mH₂O, cable PUR 15mb

Models for oil and wastewater applications - FKM seal, PVC cable:

- CPA-225S/O-1m/PVC/3m - measurement range 1 mH₂O, cable PVC 3mb
- CPA-225S/O-2,5m/PVC/6m - measurement range 2,5 mH₂O, cable PVC 6mb
- CPA-225S/O-4m/PVC/9m - measurement range 6 mH₂O, cable PVC 9mb
- CPA-225S/O-6m/PVC/9m - measurement range 6 mH₂O, cable PVC 9mb
- CPA-225S/O-10m/PVC/12m - measurement range 10 mH₂O, cable PVC 12mb

