



SZP-73

- regulated current source in a small case
- two-coloured LED display (4-digits, IP 40)
- passive output 4-20mA with galvanic separation
- power supply output: 24V DC
- RS-485 / Modbus RTU
- changing the current values by "▲" and "▼" keys

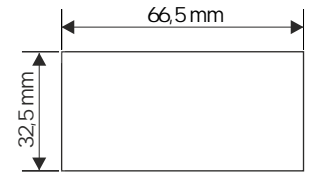
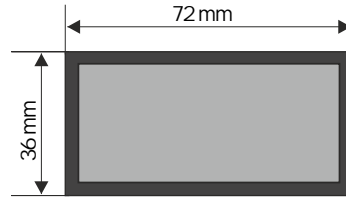
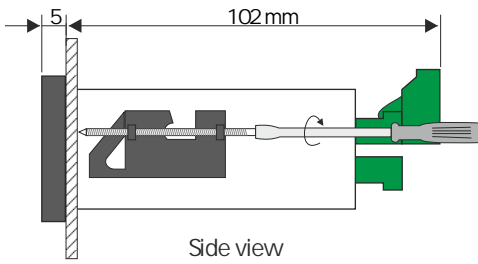
Regulated current source SZP-73 allows generation of user settable current (in range 4-20 mA). Increasing and decreasing of output current can be made using local keyboard. Device displays present value of output current recalculated according to set display range (-999 to 9999 with free selectable decimal point). Quick view and regulation of output current is possible at any time. The device can replace all two wire analogue current sources (4-20 mA) used for controlling of industrial processes. The 24V DC / 100 mA output is designed to supply measuring transducers, and the RS-485 port enables data transmission in production process monitoring systems.

TECHNICAL DATA

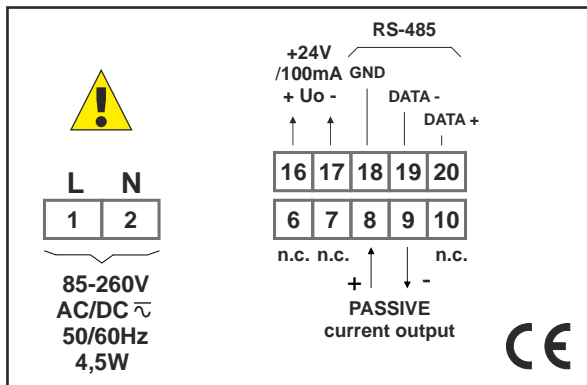
Power supply Power consumption	19V ÷ 50V DC; 16V ÷ 35V AC or 85 ÷ 260V AC/DC, all separated for 85 ÷ 260V AC/DC and 16V ÷ 35V AC power supply: max. 4,5 VA; for 19V ÷ 50V DC power supply: max. 4,5 W
Display	standard: LED, two-coloured (red-green), 4 x 13 mm (IP 40) option: LED, red, 5 x 9 mm (IP 65) with 8-step adjustment of brightness
Displayed values	-999 ÷ 9999 + decimal point
Output	4-20 mA (passive), isolated, power supply: min. 6,5 V
Power supply output	24V DC +5%, -10% / max. 100 mA, stabilized
Accuracy	0.1% @ 25°C ± one digit
Stability	50 ppm/°C
Communication interface	RS-485, 8N1 and 8N2, 1200 bit/s ÷ 115200 bit/s, Modbus RTU (not galvanically isolated)
Operating temp.	0°C ÷ +50°C (standard), -20°C ÷ +50°C (option)
Storage temp.	-10°C ÷ +70°C (standard), -20°C ÷ +70°C (depending on option)
Protection class	depending on display size: 5 x 9 mm display: IP 65 (front); optional integrated frame for panel cut-out sealing; IP 20 (case and connection dips) 4 x 13 mm display: IP 40 (front); IP 20 (case and connection dips)
Case	panel mounting; material: NORYL - GFN2S E1
Dimensions	case (WxHxD): 72 x 36 x 97 mm panel cut-out dimensions: 66,5 x 32,5 mm installation depth: min. 102 mm board thickness: standard 7 mm or other depending on used board thickness brackets (see Accessories)
Weight	145 g max.



DIMENSIONS



EXAMPLARY PIN ASSIGNMENTS



ORDERING

SZP-73-0015-1-X-XX1

options:

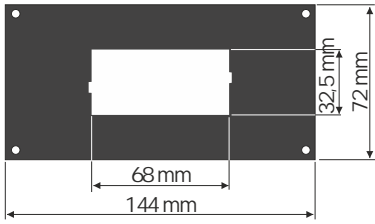
- 00: 4 x 13 mm display, two-coloured
- 01: 5 x 9 mm display, red + integrated frame for panel cut-out sealing
- 08: 4 x 13 mm display, two-coloured + operating temp. $-20^{\circ}\text{C} \div +50^{\circ}\text{C}$
- 0P: 5 x 9 mm display, red + operating temp. $-20^{\circ}\text{C} \div +50^{\circ}\text{C}$
+ integrated frame for panel cut-out sealing

power supply:

- 3: 24V AC/DC
- 4: 85V - 260V AC/DC



MOUNTING PLATES



SMP-147/73
to mount 72 x 36 mm
size unit in place
of 144 x 72 mm cut-out

BOARD THICKNESS BRACKETS / ADAPTORS



SPH-07
1 ÷ 7 mm board thickness brackets (2 pcs)
standard included with device

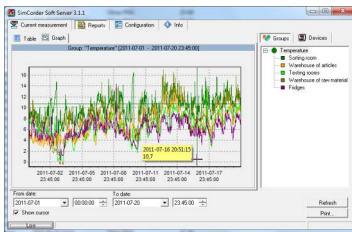


SPH-05
1 ÷ 5 mm board thickness brackets (2 pcs)



SPH-45
1 ÷ 45 mm board thickness brackets (2 pcs)

SOFTWARE



SimCorder Soft is a visualisation application created to facilitate work with advanced networks of the SIMEX devices, for acquisition, visualisation, reporting, archiving, exporting and printing of measurement data from all network devices. You can download measurements from the devices automatically or on demand. There is a possibility of immediate notification about emergency states via SMS or e-mail, which will often allow to quickly resolve an arising problem while avoiding long and expensive stoppages. You can view the measurement data, emergency states and configuration via the internet at every time.

CONVERTERS



The SRS-U4 converter is designed to connect a USB host to slave devices equipped with RS-485 interface. The PC with special software can be used as a host. The SRS-U4 unit guarantees full galvanic isolation between USB and RS-485 circuits. The converter can work with any devices equipped with RS-485 interface and contains integrated circuit which supports USB 1.1 and USB 2.0 standards. The main purpose is connection of PC host computer with industrial data acquisition and visualisation systems based on RS-485 interface.

The SRS-U4 can be also manufactured with DIN mounting adaptor.

