



SIR-25 remote controller

SLC-457

- timer in tight, wall mounting case, [IP 67](#)
- 4 x 57 mm LED display, brightness adjustable in 8 steps
- pulse input START - counting enable
- input RESET - clear counter
- power supply output: 24V DC
- RS-485 / Modbus RTU

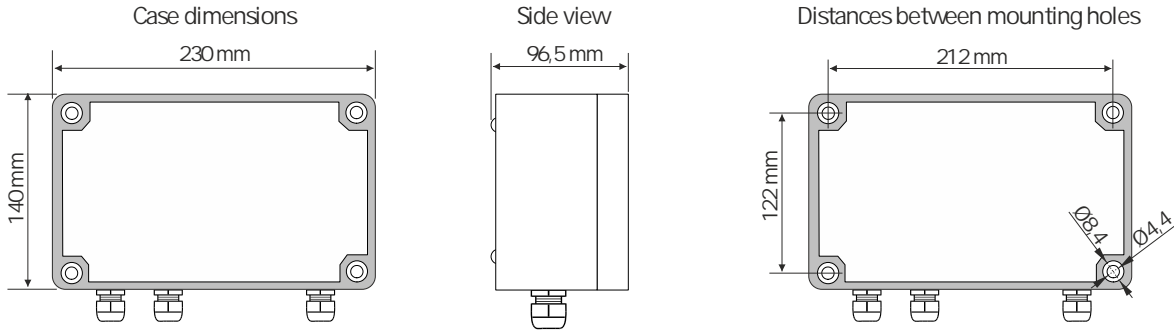
The SLC-457 timer is designed for time counting in range from 0 to 100 hours with resolution of 1 min. Actual result is showed on 4-digit display, and the user can change it's bright in 8 steps range. The device is equipped with 4 buttons for main presets programming. To get high protection level IP 67, the keypad is mounted under transparent waterproof cover. This feature allows to use SLC-457 in hazardous environments. The 24V DC / 100 mA output is designed to supply measuring transducers, and the RS-485 port enables data transmission in production process monitoring systems. Baud rate can be changed from 1200 to 115200 baud. The counter may be configured with no need to open the case, by using the remote controller SIR-25.

TECHNICAL DATA

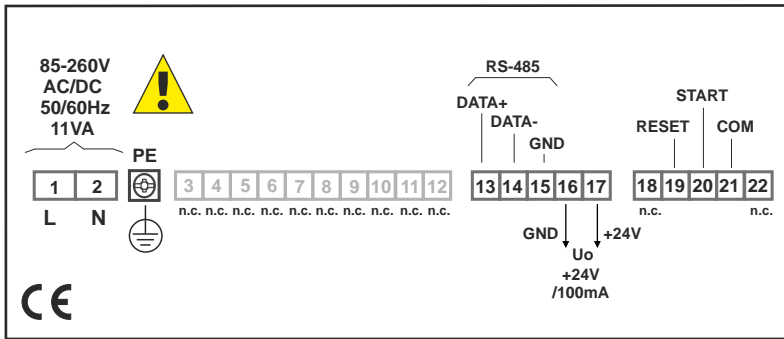
| | |
|-------------------------|---|
| Power supply | 19V ÷ 50V DC; 16V ÷ 35V AC or 85 ÷ 260V AC/DC, all separated |
| Power consumption | for 19V ÷ 50V DC: max. 13,5 W; for 16V ÷ 35V AC: max. 19,5 VA; for 85 ÷ 260V AC/DC: max. 21 VA |
| Display | LED, 4 x 57 mm, red, brightness adjustable in 8 steps |
| Displayed values | -999 ÷ 9999 + decimal point: from 0 to 100 hours in hh.mm (hours.minutes) format |
| Input | pulse, galvanic isolated: - counting enable (START) - clear counter (RESET) - common terminal (COM) time between input signals edges: min. 500 µs |
| Input levels | low level: 0V ÷ 3V; high level: 10V ÷ 30V (typically 12 mA @ 24V) |
| Input frequency | > 10 kHz |
| Displaying values range | from 0 to 100 hours |
| Time range | hh.mm (hours.minutes) |
| Precision | ± 0,005 % of displayed value |
| Resolution | 1 minute |
| Power supply output | 24V DC +5%, -10% / max. 100 mA, stabilized |
| Communication interface | RS-485, 8N1 and 8N2, 1200 bit/s ÷ 115200 bit/s, Modbus RTU (not galvanically isolated) |
| Operating temp. | 0°C ÷ +50°C |
| Storage temp. | -10°C ÷ +70°C |
| Protection class | IP 67 |
| Case | wall mounting; material: ABS + polycarbonate (standard); 100% polycarbonate (on request) |
| Dimensions (WxHxD) | 230 x 140 x 96,5 mm |
| Weight | 1176 g max. |



DIMENSIONS



EXAMPLARY PIN ASSIGNMENTS



ORDERING

SLC-457-1400-1-X-001

power supply:
3: 24V AC/DC
4: 85V - 260V AC/DC



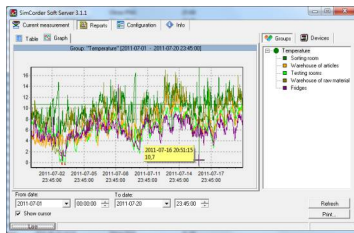
REMOTE CONTROLLER



The SIR-25 infrared remote controller may be used as external programming keyboard for all SIMEX devices equipped with IR receivers and remote programming functions. Pressing of any local IR controller key, causes transmission of it's code to the device. The remote controller features a five-button keyboard, including the F/ /RESET function button dedicated to the operation of the devices in the following group: counters, flowmeters, and tachometers. Functions of particular keys depend on devices features.

Power supply voltage: 3V DC - 1 lithium battery CR2032 type
 Operation range: from 0,5 to 5 m (depend on programmed device features)

SOFTWARE



SimCorder Soft is a visualisation application created to facilitate work with advanced networks of the SIMEX devices, for acquisition, visualisation, reporting, archiving, exporting and printing of measurement data from all network devices. You can download measurements from the devices automatically or on demand. There is a possibility of immediate notification about emergency states via SMS or e-mail, which will often allow to quickly resolve an arising problem while avoiding long and expensive stoppages. You can view the measurement data, emergency states and configuration via the internet at every time.

CONVERTERS



The SRS-U4 module is designed to connect a USB host to slave devices equipped with RS-485 interface. The PC with special software can be used as a host. The SRS-U4 unit guarantees full galvanic isolation between USB and RS-485 circuits. The converter can work with any devices equipped with RS-485 interface and contains integrated circuit which supports USB 1.1 and USB 2.0 standards. The main purpose is connection of PC host computer with industrial data acquisition and visualisation systems based on RS-485 interface.

The SRS-U4 can be also manufactured with DIN mounting adaptor.

