

CCE-18.605 G



- pressure transmitter
- submersible
- nominal pressure: from 0..1 mH₂O up to 0..10mH₂O
- output signals: 2-wire: 4...20 mA; 3-wire: 0...10V / ratiometric
- piezoresistive stainless steel sensor
- accuracy 0.5 % span



PREFERRED AREAS OF USE ARE



Plant and Machine Engineering



Energy industry



Utility vehicles / mobile hydraulics

TECHNICAL DATA

Input pressure range						
Nominal pressure gauge	[bar]	0.1	0.25	0.4	0.6	1
Level	[mH ₂ O]	1	2.5	4	6	10
Overpressure	[bar]	1	1	1	3	3
Burst pressure	[bar]	1.5	1.5	1.5	5	5
Vacuum resistance		unlimited				

Output signal / Supply	
Standard	2-wire: 4 ... 20 mA / V _S = 8 ... 32 V _{DC}
Option 3-wire	3-wire: 0 ... 10 V / V _S = 14 ... 30 V _{DC}
	3-wire ratiometric: 10...90 % of V _S / V _S = 2.7...5 V _{DC}

Performance	
Accuracy ¹	P _N > 160 mbar: ± 0,5 % span P _N 160 mbar: ± 1 % span
Permissible load	2-wire: R _{max} = [(V _S - V _{Smin}) / 0.02 A] W 3-wire: R _{min} = 10 kW
Influence effects	supply: 0.05 % span / 10 V load: 0.05 % span / kW
Response time	2-wire: 10 msec 3-wire: 3 msec
Long term stability	± 0.2 % span / year at reference conditions
Measuring range	1 kHz

¹ accuracy according to EN IEC 62828-2– limit point adjustment (non-linearity, hysteresis, repeatability)

Thermal effects (Offset and Span) / Permissible temperatures	
Thermal error	± 0.3 % span / 10 K in compensated range 0 ... 70 °C
Permissible temperatures	medium / electronics / environment / storage: -10 ... 70 °C

Electrical protection	
Short circuit protection	permanent 3-wire ratiometric: none
Reverse polarity protection	no damage, but also no function
Electromagnetic compatibility	Emission and immunity according to EN 61326

Mechanical stability	
Vibration	10 g, 25 Hz ... 2 kHz according to DIN EN 60068-2-6
Shock	100 g / 1 msec according to DIN EN 60068-2-27

Materials (media wetted)	
Housing	stainless steel 1.4301 (304)
Seals	FKM
Diaphragm	stainless steel 1.4435 (316 L)
Cable sheath	PVC/PUR



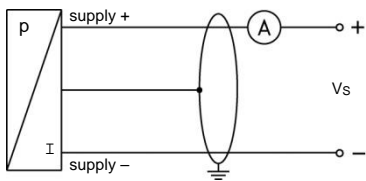
Miscellaneous

Weight	approx. 120 g (without cable) cable: 25 g / m
Cable length	3 m, 6 m, 9 m or 12 m; others on request
Suitable for following media	water, fuel oil
Current consumption	2-wire: max. 25 mA 3-wire ratiometric: typ. 1.5 mA 3-wire voltage: typ. 5 mA (short circuit current: max. 20 mA)
Ingress protection	IP 68
CE-conformity	EMC Directive: 2014/30/EU

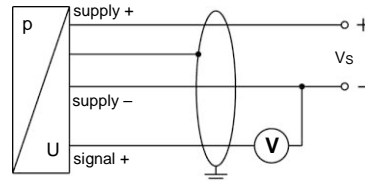
ELECTRICAL CONNECTION

Wiring diagrams

2-wire-system (current)



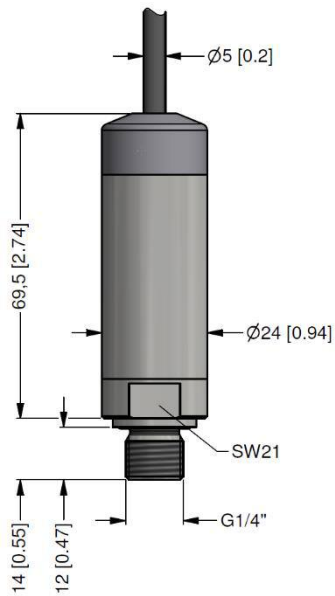
3-wire-system (voltage)



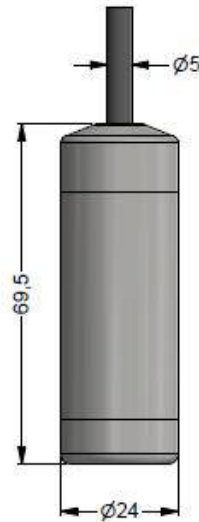
Pin configuration

Electrical connections	cable colours (DIN 47100)
Supply +	wh (white)
Supply -	bn (brown)
Signal + (only for 3-wire)	gn (green)
Shield	gn/ye (green / yellow)

DIMENSION DRAWINGS



G1/4" DIN 3852
with PVC cable (with air tube)



Open (without thread)



