



SWS-147

- indicator with a large 4 x 38 mm display
- RS-485 / Modbus RTU
- MASTER / SLAVE
- transmission speed adjustable: 1200 ÷ 115200 bit/sek.
- display brightness adjustable in 8 steps
- password protected

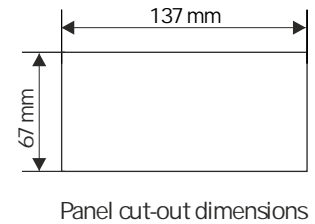
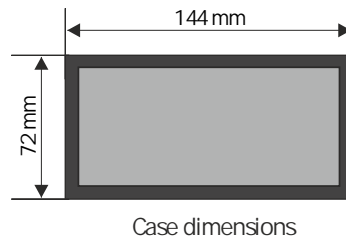
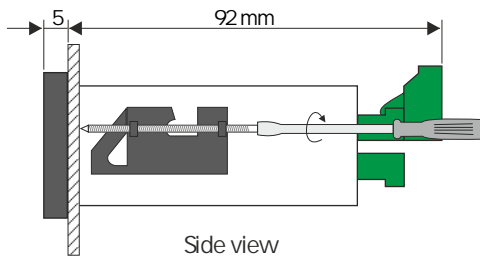
The SWS-147 is a simple digital panel indicator intended for displaying any numerical values and characters defined by user (in SLAVE mode only) sent from the master device over the RS-485 serial interface link. The displayed value may be collected from other device (in MASTER mode). As a main advantage, this device is equipped with a large, 38 mm high LED display. The display brightness can be adjusted in 8 steps. Modbus RTU protocol is used to communication with device. Baud rate is user defined in 1200 ÷ 115200 baud range.

TECHNICAL DATA

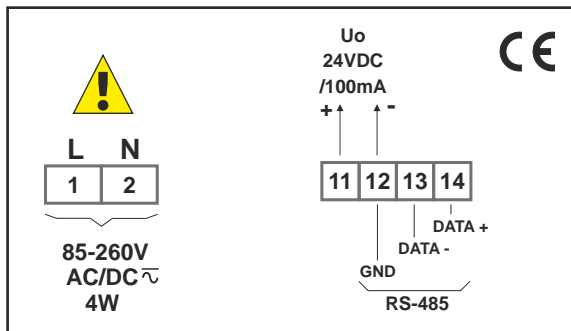
Power supply	19V ÷ 50V DC, 16V ÷ 35V AC or 85 ÷ 260V AC/DC or 12V AC/DC, all separated
Power consumption	for 12V AC/DC, 85 ÷ 260V AC/DC and 16V ÷ 35V AC power supply: max. 6.5 VA; for 19V ÷ 50V DC power supply: max. 6.5 W
Display	LED, 4 x 38 mm high, red or green (option), brightness adjustable in 8 steps
Displayed values	-999 ÷ 9999 plus decimal point
Power supply output	24V DC +5%, -10% / max. 100 mA, stabilized
Communication interface	RS-485, Modbus RTU (not galvanically isolated)
Transmission speed	adjustable in range from 1200 to 115200 bit/sek.
Transmission parameters	8N1 and 8N2
Operating temp.	0°C ÷ +50°C (standard), -20°C ÷ +50°C (option)
Storage temp.	-10°C ÷ +70°C (standard), -20°C ÷ +70°C (depending on option)
Protection class	IP 65 (front), optional integrated frame for panel cut-out sealing; IP 20 (case and connection clips)
Case	panel mounting; material: NORYL - GFN2S E1
Dimensions	<u>case (WxHxD)</u> : 144 x 72 x 100 mm <u>panel cut-out dimensions</u> : 138,5 x 67 mm <u>installation depth</u> : min. 102 mm <u>board thickness</u> : standard 7 mm or other depending on used board thickness brackets (see Accessories)
Weight	360 g max.



DIMENSIONS



EXAMPLARY PIN ASSIGNMENTS



ORDERING

SWS-147-0000-1-X-XX1

power supply:

3: 24V AC/DC

4: 85V ÷ 260V AC/DC

5: 12V AC/DC

options:

00: no options

01: integrated frame for panel cut-out sealing

03: green colour LED display

04: integrated frame for panel cut-out sealing + green colour LED display

08: operating temp. -20°C ÷ +50°C

OP: integrated frame for panel cut-out sealing + operating temp. -20°C ÷ +50°C

OL: green colour LED display + operating temp. -20°C ÷ +50°C

OT: integrated frame for panel cut-out sealing + green colour LED display
+ operating temp. -20°C ÷ +50°C



BOARD THICKNESS BRACKETS / ADAPTORS



SPH-07
1 ÷ 7 mm board thickness brackets (2 pcs)
standard included with device

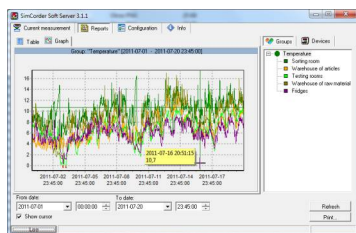


SPH-05
1 ÷ 5 mm board thickness brackets (2 pcs)



SPH-45
1 ÷ 45 mm board thickness brackets (2 pcs)

SOFTWARE



SimCorder Soft is a visualisation application created to facilitate work with advanced networks of the SIMEX devices, for acquisition, visualisation, reporting, archiving, exporting and printing of measurement data from all network devices. You can download measurements from the devices automatically or on demand. There is a possibility of immediate notification about emergency states via SMS or e-mail, which will often allow to quickly resolve an arising problem while avoiding long and expensive stoppages. You can view the measurement data, emergency states and configuration via the internet at every time.

CONVERTERS



The SRS-U4 converter is designed to connect a USB host to slave devices equipped with RS-485 interface. The PC with special software can be used as a host. The SRS-U4 unit guarantees full galvanic isolation between USB and RS-485 circuits. The converter can work with any devices equipped with RS-485 interface and contains integrated circuit which supports USB 1.1 and USB 2.0 standards. The main purpose is connection of PC host computer with industrial data acquisition and visualisation systems based on RS-485 interface.

The SRS-U4 can be also manufactured with DIN mounting adaptor.

