



# GALVANIC ISOLATORS

Circuits isolators  
With isolated power supply  
Without auxiliary power  
Current / Voltage transducers



Measure,  
**Control** and Log Data



# TRG line series galvanic isolators

**TRG**  
*line*

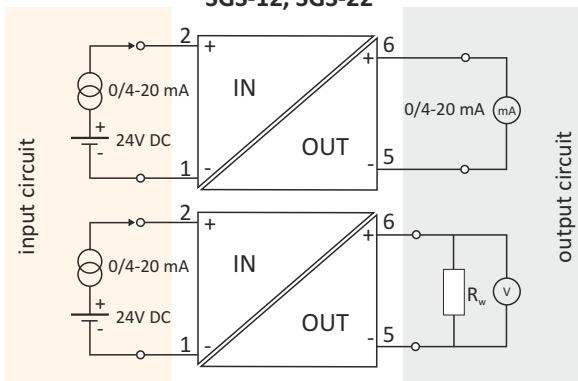


- galvanic isolation between input/output/supply circuits
- 1 or multi-tracks versions
- self-powered or external power supply
- DIN rail mounting (TS-35 or TS-32)

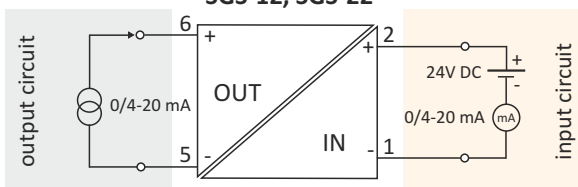
Isolators are designed for galvanic separation of the input and output measuring circuits. They convert the standard input signal into standard output signal. Use of isolator reduces the influence of object-originated interferences, protects against overvoltages and short-circuits in field circuits and allows matching of various signal standards. A significant advantage the isolators have over the barriers is such that they do not need to be earthed and are fully immune to interference. Apart from standard versions, our offer also includes Ex versions designed for use in zones under explosion hazard. Moreover, thanks to use of Zener diodes, resistors and fuses, our isolators effectively reduce the energy level of signals transmitted into dangerous zone.

## Available separation types

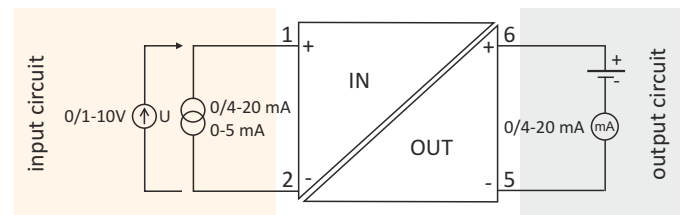
**SGS-12, SGS-22**



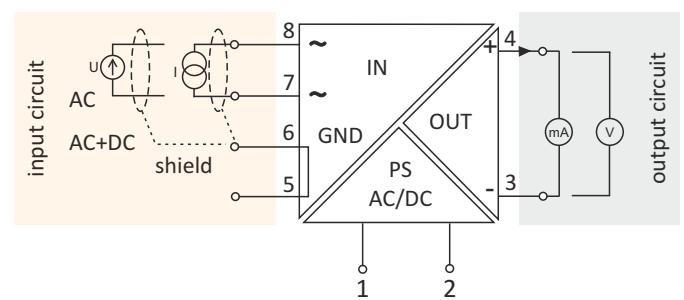
**SGS-12, SGS-22**



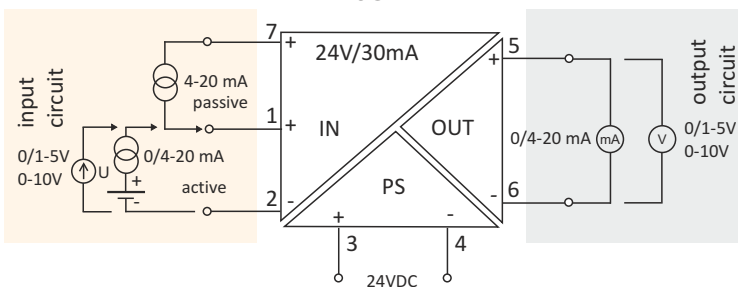
**SGT-12**



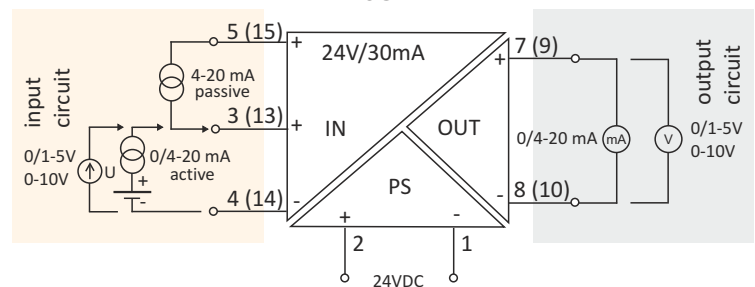
**SGT-22**



**SGZ-12**



**SGZ-22**





- Filtration of feedbacks and couplings
- Protection in case of field circuit failure
- Equalizing of potentials in the channel
- Protection against overvoltages
- Signal multiplication (division)



## Technical data



	SGS-12	SGS-22	SGT-12	SGT-22	SGZ-12	SGZ-22
<b>Number of tracks</b>	1 / 2	3 / 4	isolator: 1 / 2 multiplier: 1 (2 outputs)	1	1	isolator: 1 / 2 multiplier: 1 (2 outputs)
<b>Input signal</b>	0/4 ÷ 20 mA	0/4 ÷ 20 mA	0/4 ÷ 20 mA, 0 ÷ 5 mA 0/1 ÷ 5V, 0 ÷ 10V	0 ÷ 5A, 0 ÷ 750V	0/4 ÷ 20 mA, 0 ÷ 5 mA, 0/1 ÷ 5V, 0 ÷ 10V	0/4 ÷ 20 mA, 0 ÷ 5 mA, 0/1 ÷ 5V, 0 ÷ 10V
<b>Output signal</b>	0 ÷ 20 mA or 4 ÷ 20 mA	0 ÷ 20 mA or 4 ÷ 20 mA	4 ÷ 20 mA	0/4 ÷ 20 mA, 0 ÷ 5 mA, 0/1 ÷ 5V, 0 ÷ 10V	0/4 ÷ 20 mA, 0 ÷ 5 mA, 0/1 ÷ 5V, 0 ÷ 10V	0/4 ÷ 20 mA, 0 ÷ 5 mA, 0/1 ÷ 5V, 0 ÷ 10V
<b>Power supply</b>	21 ÷ 28V DC from input loop	21 ÷ 28V DC from input loop	9 ÷ 36V DC from output loop	18V ÷ 350V DC or 18V ÷ 230V AC	21 ÷ 28V DC	21 ÷ 28V DC
<b>Case dimensions [mm]</b>	12.5 x 99 x 114.5	22.5 x 99 x 114.5	12.5 x 99 x 114.5	22.5 x 99 x 114.5	12.5 x 99 x 114.5	22.5 x 99 x 114.5



SIMEX Ltd.  
Wielopole 11  
80-556 Gdańsk  
Poland  
tel. (+48) 58 762-07-77  
fax (+48) 58 762-07-70  
e-mail: [info@simex.pl](mailto:info@simex.pl)  
[www.simex.pl](http://www.simex.pl)



[www.simex.pl](http://www.simex.pl)