

SCR502



- temperature range $-40 \div 80^{\circ}\text{C}$
- possibility of mounting a 4...20mA or 0...10V temperature transmitter
- stainless steel sheath with or without perforation, small diameter
- connection via terminal connector strip
- IP 65 protection degree

Resistance thermometers SCR502 are designed for ambient temperature measurement inside residential, office and industrial spaces. There is possibility of assembling programmable temperature transmitter with 4...20mA or 0...10V output signal into housing. The housing with perforation ensures quick and accurate measurement. The interesting appearance of the sensor allows for installation in residential houses, ensuring appropriate aesthetics.

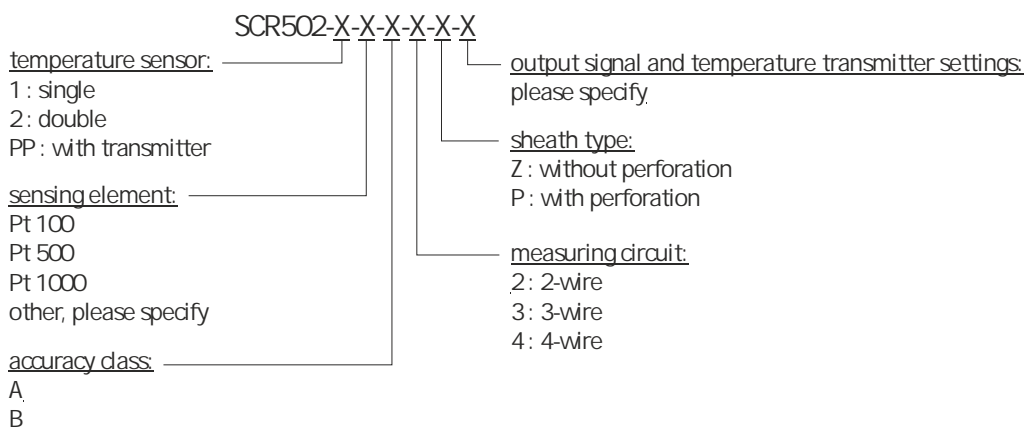
Application areas

- ambient temperature measurement in rooms,
- warehouses and cold stores,
- offices,
- air-conditioning and ventilation installations.

TECHNICAL DATA

Sensing element	Pt100, Pt500, Pt1000 (2-, 3- or 4-wire)
Measuring range	$-40 \div 80^{\circ}\text{C}$
Class	A or B
Thermowell	with or without perforation, stainless steel 1.4541
Case dimensions (WxHxD)	67 x 67 x 23 mm

ORDERING



Przykład zamówienia:

SCR502-1-Pt100-B-2-Z-0-80°C

Single RTD temperature sensor, 1xPt100, B tolerance class, 2-wire measuring circuit. Sheath without perforation, temperature range 0-80°C

