

SCT110



- temperature range $-50 \div 1200^{\circ}\text{C}$ depending on thermocouple
- connection head
- operating temperature of connection heads max. 150°C
- sensor with a replaceable measuring insert
- acid-resistant steel sheath
- possibility of mounting a 4...20mA temperature transmitter

The thermocouple SCT110 consists of a replaceable insert, an outer protective tube (thermowell) made of heat-resistant steel and an aluminium connection head where a programmable temperature transmitter with a 4...20mA output signal can be installed. The measuring insert allows you to replace a faulty sensor without having to dismantle the entire measuring assembly. Immersion depth adjustment using the sliding SUZ handle with mounting thread.

Application:

- steel and metallurgical industry
- waste processing
- metallurgical furnaces
- other industries

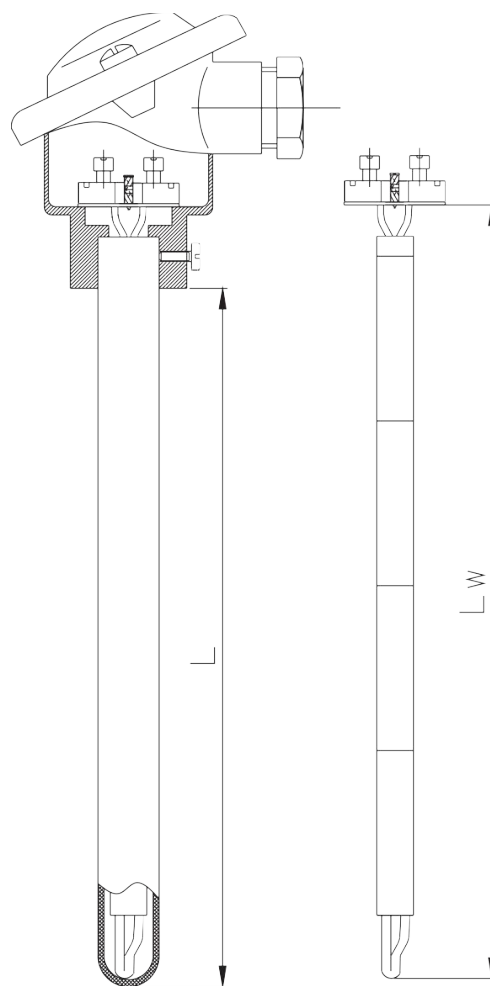
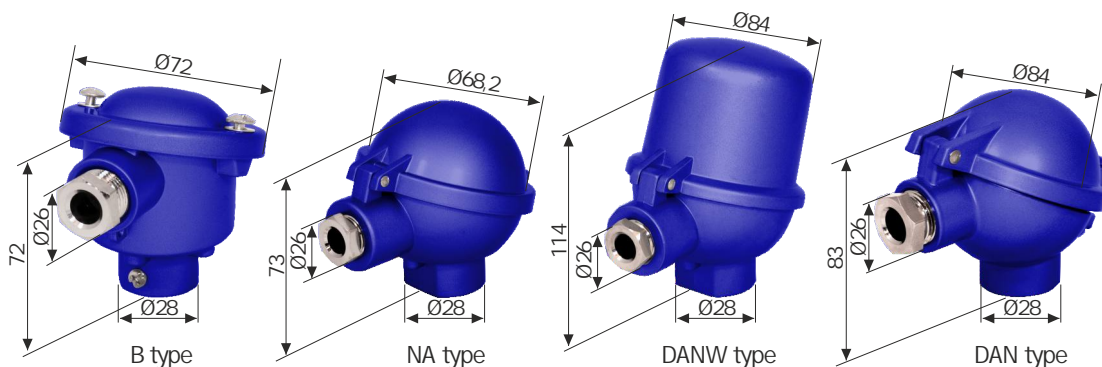
TECHNICAL DATA

Sensing element	J, K, N thermocouple (single, double)
Measuring range	$-50 \div 1200^{\circ}\text{C}$ (depending on thermocouple and material)
Connection head	B, NA or other, operating temperature $-40 \div 150^{\circ}\text{C}$
Class	1 or 2
Sheath	material: heat-resistant steel 1.4401 or other any nominal length (specified when ordering)

THERMOCOUPLE PARAMETERS

Thermocouple	Max. operating temperature	Wires diameter
J (Fe-CuNi)	700°C	$\varnothing 2$
K (NiCr-Ni)	1200°C	$\varnothing 3$
N (NiCrSi-NiSi)	1200°C	$\varnothing 3$

CONNECTION HEAD TYPES



ACCESSORIES

SUZ - MOUNTING BRACKETS

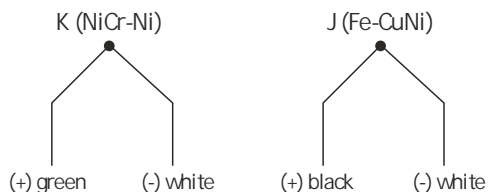


Mounting bracket
SUZ11

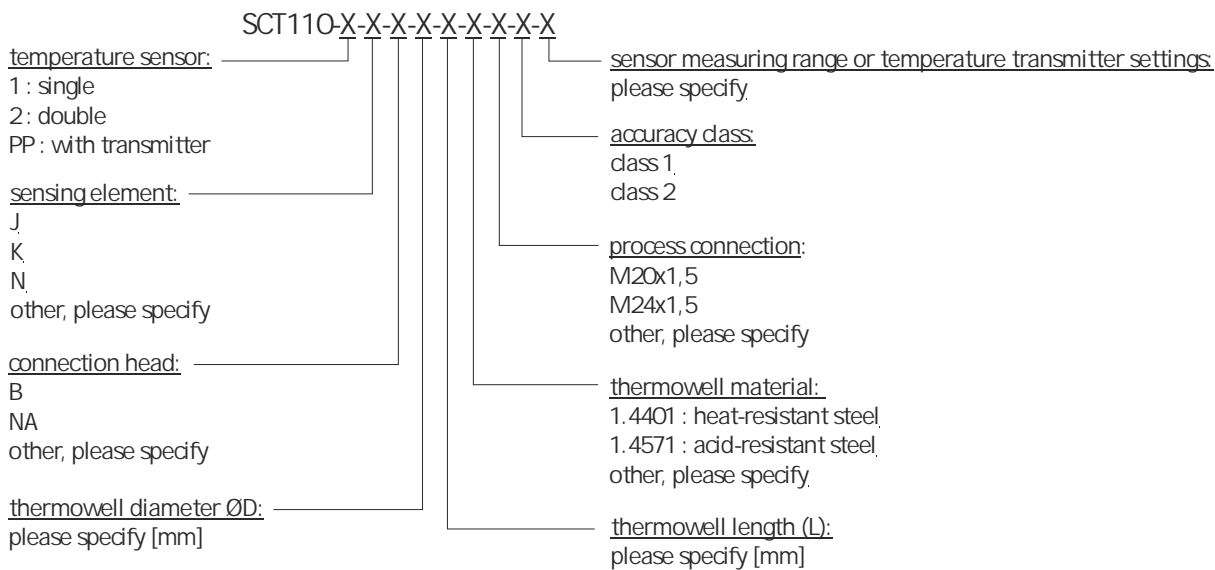


Mounting bracket
SUZ21

ELECTRICAL CONNECTION



ORDERING



Ordering example:

SCT110-1-K-DAN-20-1000-1.4401-M20x1,5-2-01200

Single TC temperature sensor, K thermocouple, DAN type connection head, 2 tolerance class. Thermocouple with a steel 1.4401 sheath, diameter 20 mm, length L=1000 mm. Sensor with process connection M20x1,5 and measurement range 0...1200°C.

