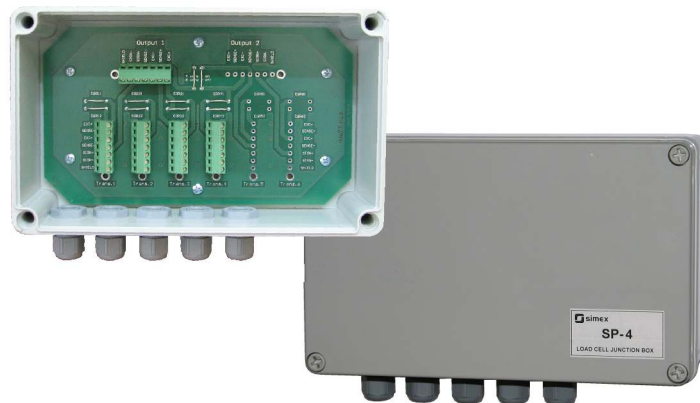


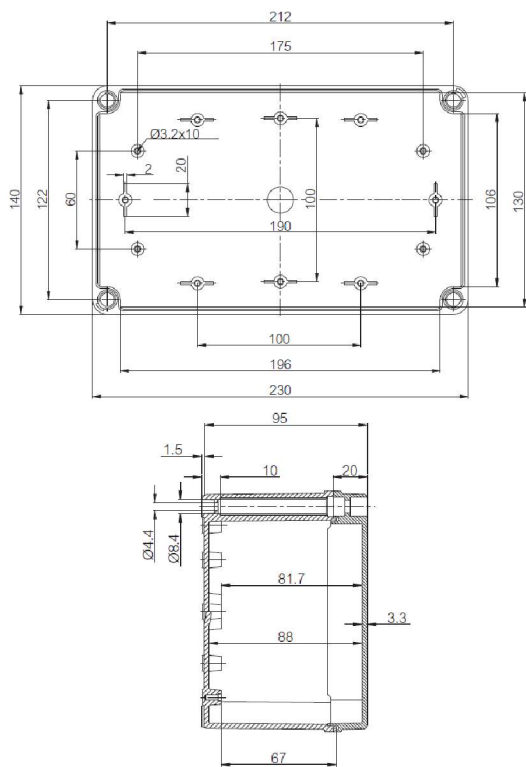
# SP-4, SP-6

- ▣ junction box enables the parallel connection of up to 6 load cells in a 4-wire or 6-wire circuit
- ▣ IP 65 protection class

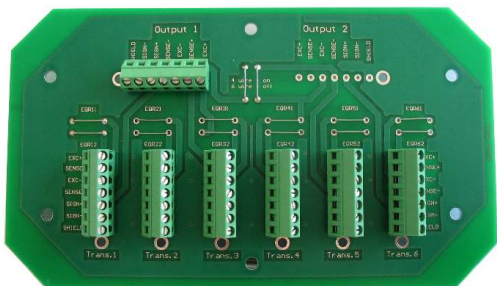


Junction box allows for quick and easy connection from 2 up to 6 load cells in multisensor systems, such as tank scales. The large enclosure of the junction box lets you put excess cable of the load cells inside the box (the cable length shortening is not recommended).

### Case dimensions



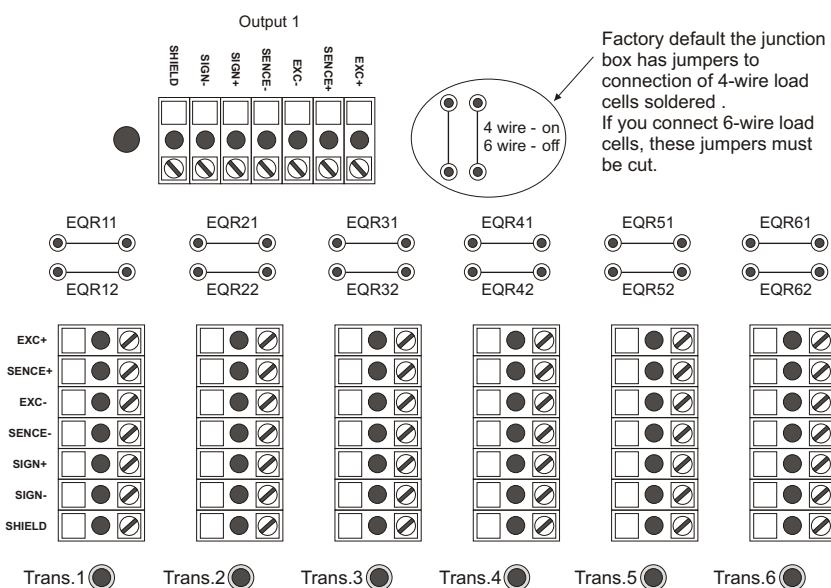
### PCB board view (for SP-6)



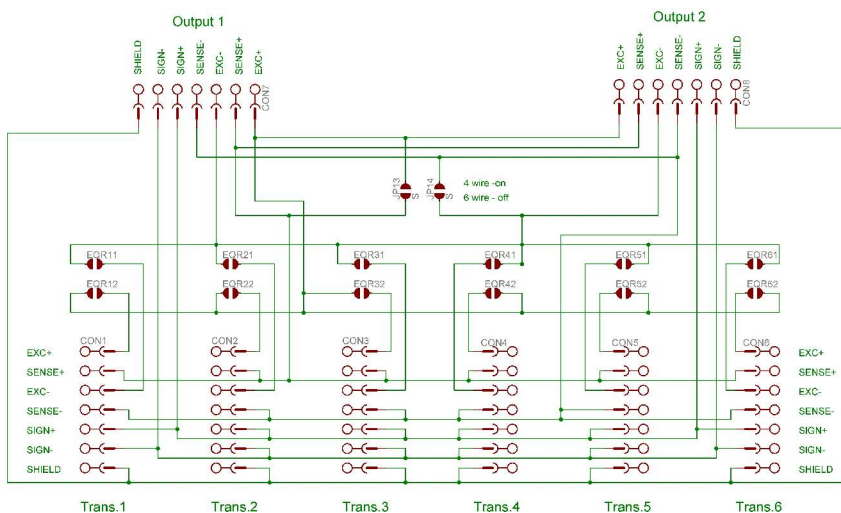
### Ordering

**SP-X**  
**load cells connected to the junction box:**  
 4: up to 4  
 6: up to 6

### Connections (for SP-6)



### Wiring diagram (for SP-6)



### Technical data

- Number of load cells: max. 6 load cells in a 4-wire or 6-wire circuit
- Operating temperature: -10°C + +60°C
- Storage temperature: -25°C + +85°C
- Protection class: IP 65
- Case: wall mounting
- Case material: ABS
- Upper plate screws material: Polyamide
- Case dimensions: 230 x 140 x 95 mm
- Mounting holes spacing: 212 x 122 mm