



# XMD

## Differential Pressure Transmitter for Process Industry with HART<sup>®</sup>-Communication

accuracy according to EN IEC 62828-2:  
0.075 % span

### Nominal pressure

from 60 mbar up to 20 bar

### Output signals

2-wire: 4 ... 20 mA / HART<sup>®</sup>  
others on request

### Special characteristics

- ▶ static over pressure 400 bar
- ▶ two chamber aluminium die cast case
- ▶ HART<sup>®</sup>-communication
- ▶ output signal: linear or square root extraction
- ▶ explosion protection, intrinsic safety Exia
- ▶ flameproof enclosure Exd






### Optional versions

- ▶ SIL 2 according to IEC 61508
- ▶ with integrated display and operating module
- ▶ preparation for assembly of process connections

The intelligent XMD transmitter is designed for measurement of differential pressure in industrial processes of all production branches. It has an excellent long-term stability.

With the use of the square root output signal can be the steam and gas flow in orifice plates and speed probes measured.

### Preferred areas of use are

-  Oil and gas industry
-  Chemical and petrochemical industry
-  Energy Industry
-  Food and beverage
-  Paper Industry

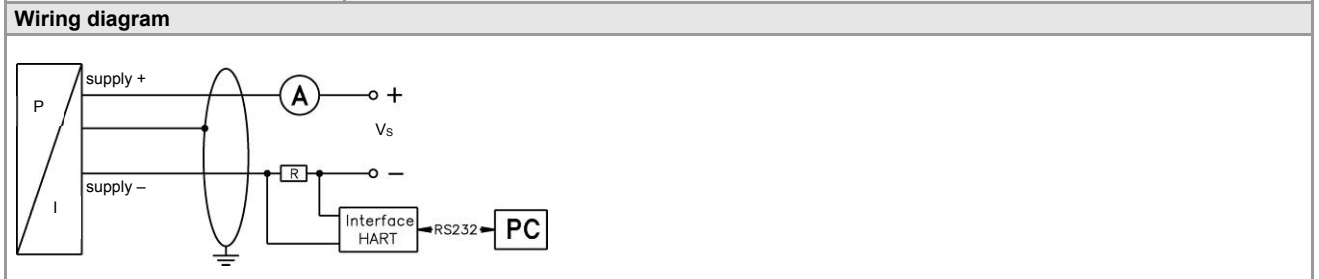


Sensor type	B	C	D	E
Differential pressure range dp	60 mbar	400 mbar	2.5 bar	20 bar
Setting limits (offset and span in this range freely adjustable)	-60 ... 60 mbar	-400 ... 400 mbar	-2.5 ... 2.5 bar	-20 ... 20 bar
Lowest permissible span	2 mbar	4 mbar	25 mbar	200 mbar
Permissible static pressure optional	160 bar -	160 bar 400 bar	160 bar 400 bar	160 bar 400 bar
Rangeability TD (with respect to the differential pressure range dp)	30:1	100:1	100:1	100:1

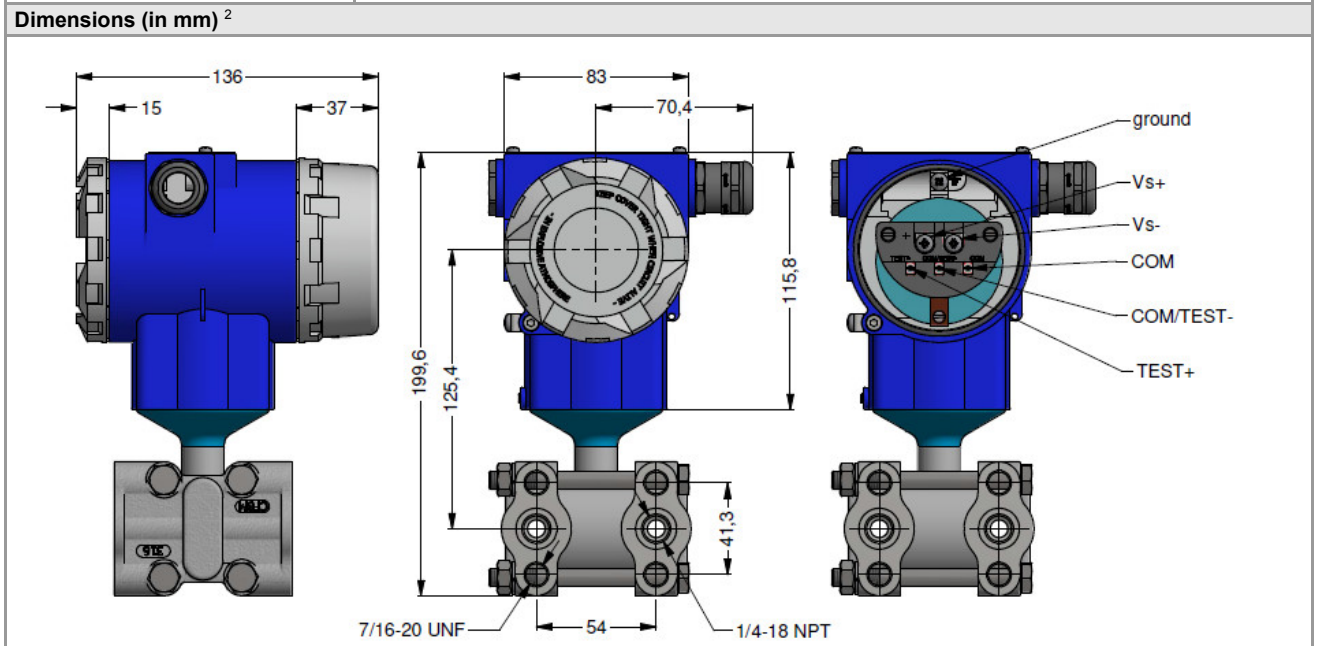
Output signal / Supply	
2-wire: 4 ... 20 mA with explosion protection	standard: intrinsic safety (ia) with HART®-communication options: flameproof equipment (d) with HART®-communication SIL2 / intrinsic safety (ia) with HART®-communication SIL2 / flameproof equipment (d) with HART®-communication $V_s = 12 \dots 28 \text{ V}_{DC}$ $V_s = 13 \dots 28 \text{ V}_{DC}$ $V_s = 12 \dots 28 \text{ V}_{DC}$ $V_s = 13 \dots 28 \text{ V}_{DC}$
Performance	
Accuracy	turn-down $\leq 10:1$ : $\pm 0.075 \%$ span turn-down $> 10:1$ : $\pm [0.0075 \times \text{turn-down}] \%$ span with turn-down = nominal pressure range / adjusted range
Influence supply	$\leq 0.001 \%$ span / 10 V
Influence static pressure	type B: $\pm [0.06 \text{ mbar} + 0.075 \%$ of the adjusted range] / 160 bar type C: $\pm [0.2 \text{ mbar} + 0.05 \%$ of the adjusted range] / 160 bar type D: $\pm [1.25 \text{ mbar} + 0.05 \%$ of the adjusted range] / 160 bar type E: $\pm [10 \text{ mbar} + 0.05 \%$ of the adjusted range] / 160 bar
Influence installation position	max. 400 Pa (can be compensated by zero-point correction)
Long term stability	type B: $\leq \pm (0.2 \%$ x differential pressure range dp) / year at reference conditions type C - E: $\leq \pm (0.1 \%$ x differential pressure range dp) / year at reference conditions
Permissible load	without LC-display: $R_{max} = [(V_s - 12 \text{ V}) / 0.023 \text{ A}] \Omega$ with LC-display: $R_{max} = [(V_s - 15 \text{ V}) / 0.023 \text{ A}] \Omega$ HART®-communication: $R = 230 \Omega \dots 600 \Omega$
Response time	type B: approx. 0.4 sec type C: approx. 0.2 sec type D: approx. 0.2 sec type E: approx. 0.1 sec
Damping	electronic: 0.1 ... 60 sec plus response time
Thermal effects (Offset and Span)	
Temperature range -20 ... +65°C	type B: $\pm [0.30 \times \text{turn-down} + 0.20] \%$ of the adjusted range] type C - E: $\pm [0.20 \times \text{turn-down} + 0.10] \%$ of the adjusted range]
Temperature range -40 ... -20°C and +65 ... +100°C	type B: $\pm [0.30 \times \text{turn-down} + 0.20] \%$ of the adjusted range] type C - E: $\pm [0.20 \times \text{turn-down} + 0.10] \%$ of the adjusted range]
Permissible temperatures	
Environment/storage	without display: -40 ... 85 °C with display: -20 ... 65 °C (85°C without function)
Media wetted parts	silicone oil: -40 ... 100 °C (information: +125 °C short time, max. 30 min.) fluorolube oil: -40 ... 100 °C (information: +125 °C short time, max. 30 min.)
Electrical protection	
Short-circuit protection	permanent
Reverse polarity protection	no damage, but also no function
Electromagnetic compatibility	emission and immunity according to EN 61326
Mechanical stability	
Vibration	5 g RMS (25 ... 2000 Hz) according to DIN EN 60068-2-6
Shock	100 g / 1 msec according to DIN EN 60068-2-27
Materials	
Pressure port	stainless steel 1.4401 (316)
Housing	aluminium die cast, powder-coated
Viewing glass	laminated safety glass
Seals (media wetted)	FKM / EPDM
Diaphragm	standard: stainless steel 1.4435 (316 L) option: Hastelloy® C-276 (2.4819)
Media wetted parts	pressure port, seals, diaphragm
Filling fluids	silicon oil
Explosion protection	
Approval AX2-XMD (with SIL2)	<b>intrinsic safety</b> IBExU05ATEX1105 X (with SIL2: IBExU 05 ATEX1105 X) zone 0/1: II 1/2G Ex ia IIB T4 Ga/Gb zone 20: II 1D Ex ia IIIC T85 °C Da
Safety technical maximum values for intrinsically safe version	$U_i = 28 \text{ V}$ , $I_i = 98 \text{ mA}$ , $P_i = 680 \text{ mW}$ , $C_i = 0 \text{ nF}$ , $L_i = 0 \text{ }\mu\text{H}$ , $C_{GND} = 33 \text{ nF}$

Approval AX7-XMD (with SIL2)	<b>flameproof enclosure</b> IBExU12ATEX1073 X (with SIL2: IBExU 12 ATEX1073 X) zone 1: II 2G Ex db IIC T5 Gb
Permissible temperatures for environment	in zone 0: -20 ... 60 °C with $p_{atm}$ 0.8 bar up to 1.1 bar in zone 1 or higher: intrinsic safety: -40 ... 70 °C / flameproof enclosure: -20 ... 70 °C
<b>Miscellaneous</b>	
Option SIL 2 version	according to IEC 61508
Safety Integrity Level	SIL2
Display (optionally)	LC display, visible range 32.5 x 22.5 mm; 5-digit 7-segment main display, digit height 8 mm, range of indication $\pm 9999$ ; 8-digit 14-segment additional display, digit height 5 mm; 52-segment bargraph; accuracy 0.1% $\pm$ 1 digit
Ingress protection	IP 67
Installation position	any
Weight	min. 3500 g
Current consumption	approx. 21 mA
Operational life	> 100 x 10 <sup>6</sup> cycles
CE-conformity	EMC Directive: 2014/30/EU
ATEX Directive	2014/34/EU

<b>Connections</b>	
Electrical connection	terminal clamps in clamping chamber with cable gland M20x1.5 (for cable- $\varnothing$ 5 up to 14 mm)
For mechanical connection	internal threads 7/16-20 UNF (connecting screws are not part of delivery)



<b>Pin configuration</b>	
Electrical connection	terminal clamps (clamp section 2.5 mm <sup>2</sup> )
Supply + (Vs+)	+
Supply - (Vs-)	-
Test +	TEST+
COM / Test -	COM/TEST-
COM	COM
Ground	$\perp$



\* without display and operating module marked dimensions decrease by 22 mm

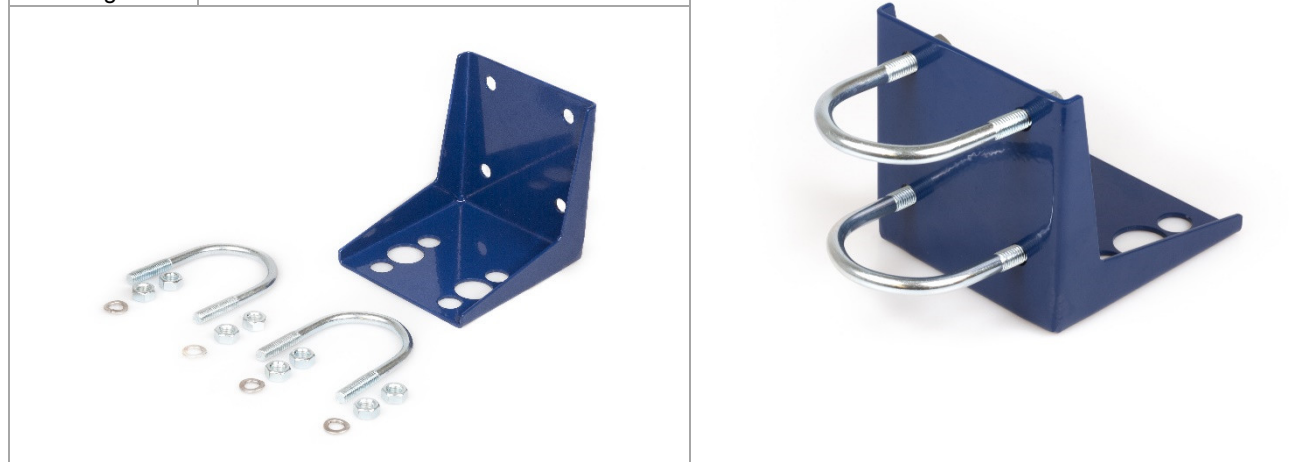
<sup>2</sup> aluminium die cast case is horizontally rotatable

HART® is a registered trade mark of HART Communication Foundation; Hastelloy® is a brand name of Haynes International Inc. Windows® is a registered trade mark of Microsoft Corporation

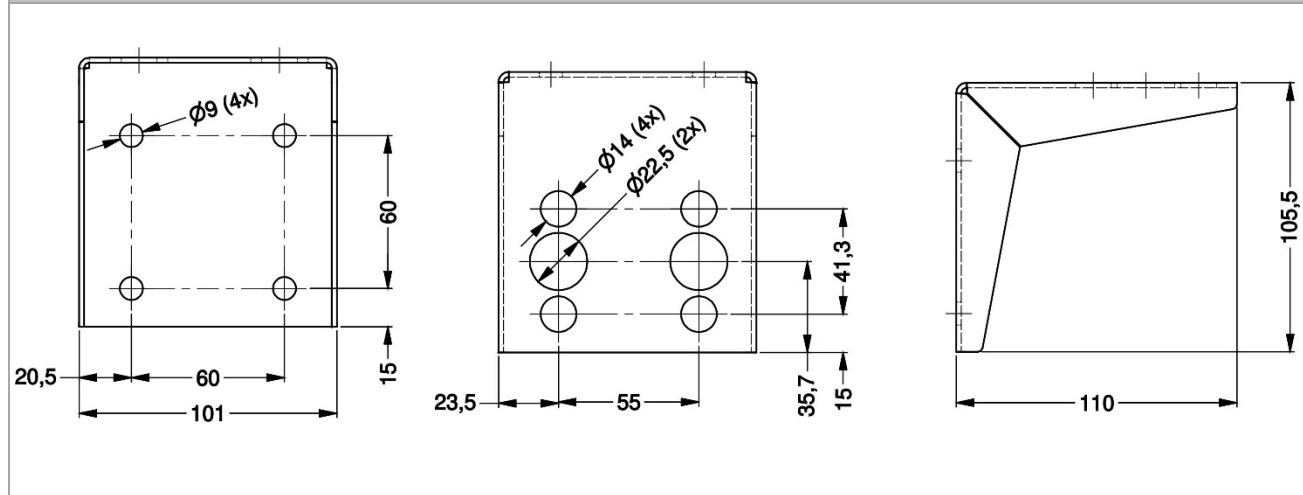
## Accessories

Process connection (not part of delivery)	
Objednací typ	Ordering code
blinding plug (external thread) 1/4" – 18 NPT	5002322
blinding plug with venting (external thread) 1/4" – 18 NPT	1003217
screw 7/16" UNF X 1 3/4" A2 (4 pcs needed), the screw is only used to connect the valve set	1004639

Universal holder	
Weight	550 g
Material	black steel
Ordering code	5029224



### Dimensions (in mm)





Flange DN 80/PN 16 DIN 2501 (without seals)

Flange DN 100/PN 16 DIN 2501 (without seals)

Customer

Mounting bracket

Universal holder for XMD

5029224

Factory Calibration Certificate

Table of measured values - printed on Warranty Certificate

0,-...without additional charge

On request...in accordance with the producer

!!! When you make an order it is necessary to fill the questionnaire for transmitters with separators!!!

Surcharges for calibration are not subject to any discounts. Subject to change.

This document contains the specification for ordering the product;

detailed technical parameters of the product and its possible variants are given in the data sheet.

BD SENSORS reserves the right to change sensor specifications without further notice.



BD SENSORS s.r.o.  
Hradištská 817  
CZ – 687 08 Buchlovice

Tel.: +420 572 411 011  
Fax: +420 572 411 497

[www.bdsensors.cz](http://www.bdsensors.cz)  
[info@bdsensors.cz](mailto:info@bdsensors.cz)

Společnost BD SENSORS s.r.o. je certifikována společností TÜV SÜD Czech dle normy ISO 9001.

